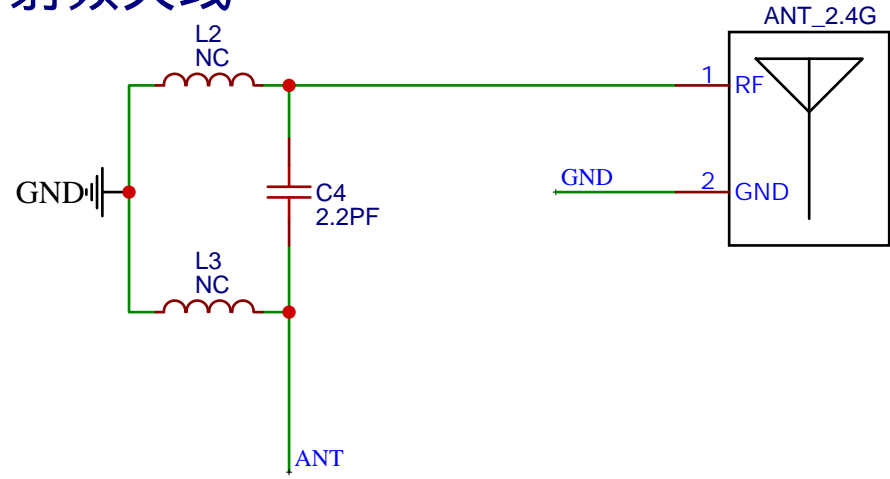
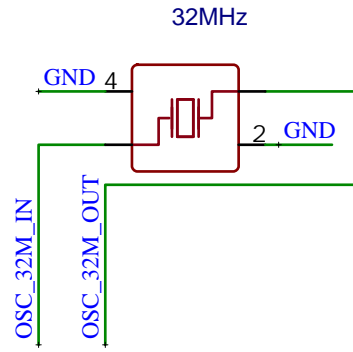


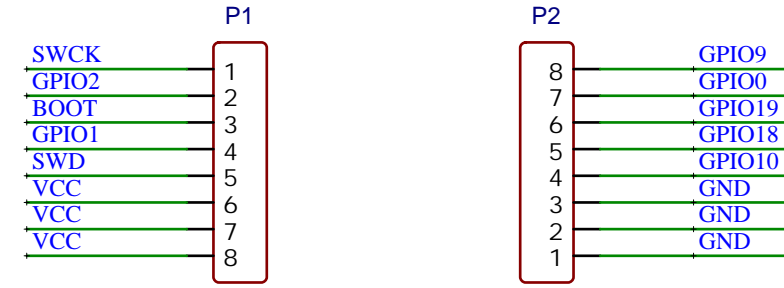
### 射频天线



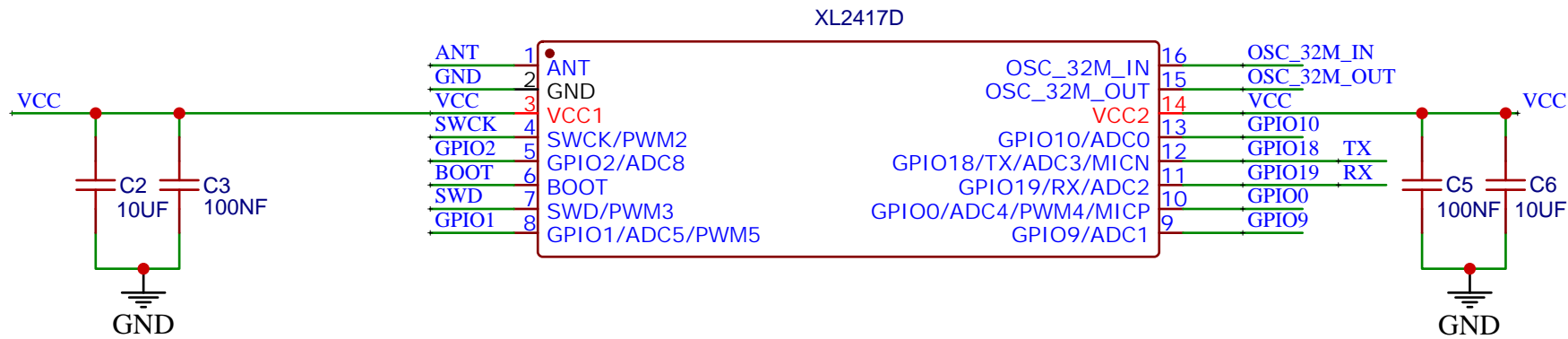
### 32M晶振



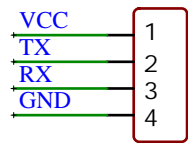
### 8P排针



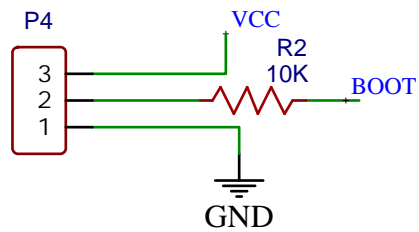
### 主控芯片XL2417D



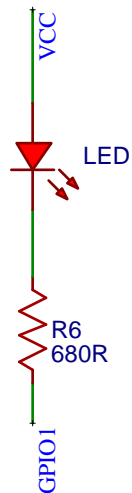
### 烧录接口



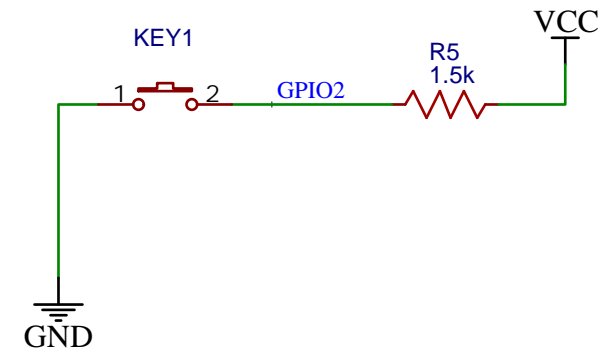
### BOOT



### LED



### KEY



TITLE: XL2417D		REV: 1.0
Company: Your Company		Sheet: 1/1
Date: 2025-06-18 Drawn By: xinlinggo		

