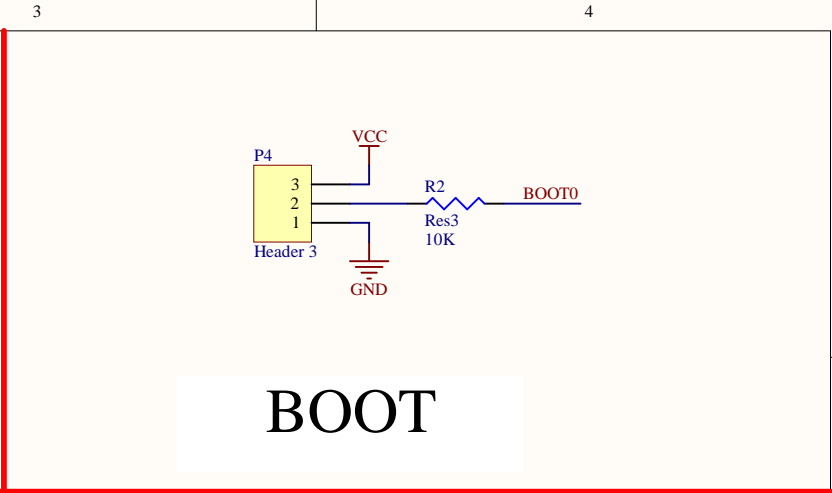
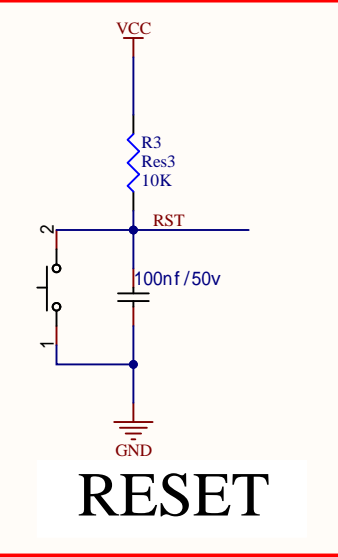


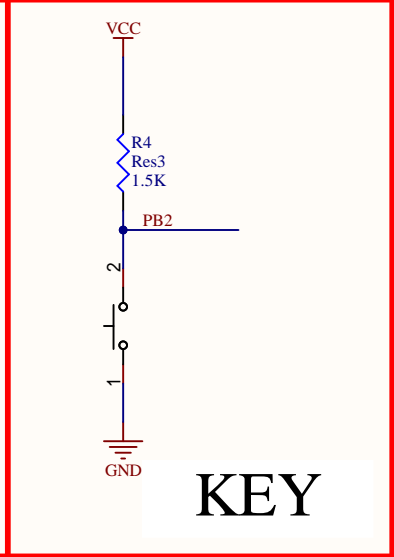
# POWER



# BOOT

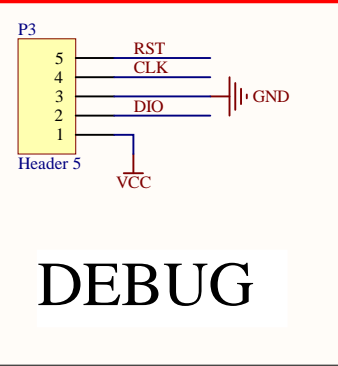
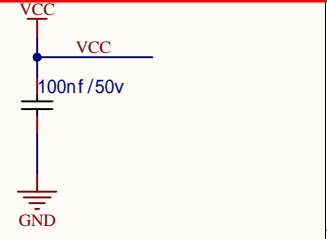


# RESET

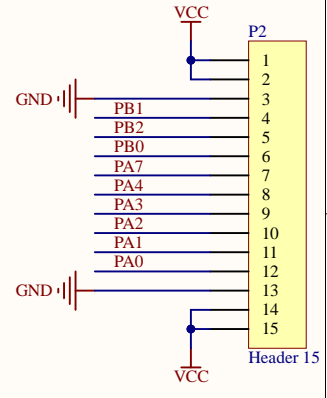
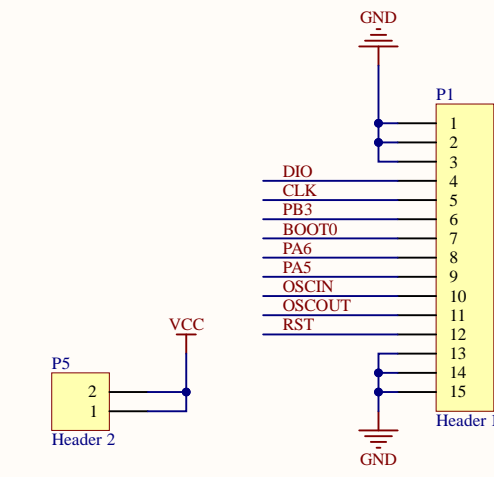
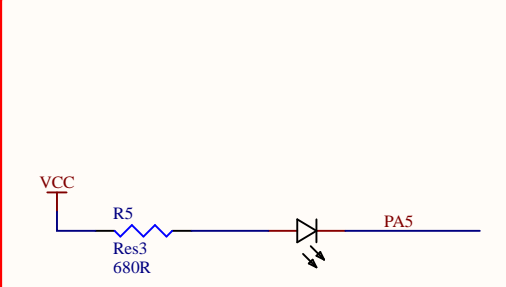
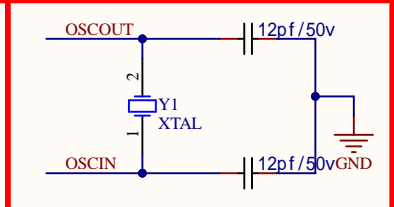


# KEY

GND	1	VSS	20	VCC
DIO	2	PA13-MISO-RX-CH2-SWD	19	PB1
CLK	3	PA14-SWC	18	PB2
PB3	4	PB3-SCK-RTS-CH2	17	PB0
BOOT0	5	PA6-BKIN-ADC6	16	PA7
PA6	6	PA7-MOSI-TX-CH1N-ADC7	15	PA4
PA5	7	PA4-NSS-CK-ADC4	14	PA3
OSCIN	8	PA3-MOSI-RX-SCL-CH1-ADC3	13	PA2
OSCOUT	9	PA2-MOSI-TX-SDA	12	PA1
RST	10	PA1-SCK-RTS-CH4CH2N-ADC1	11	PA0
		PA0-MISO-CTS-CH3CH1N-ADC0		
		PF2-NRST		



# DEBUG



Title *			*
Size: A4	Number: *	Revision: *	*
Date: 2023/2/6	Time: 9:12:53	Sheet * of *	*
File: D:\AD_PCB制作\PY32F002A\PY32F002A.SchDoc			*

# Board Stack Report